



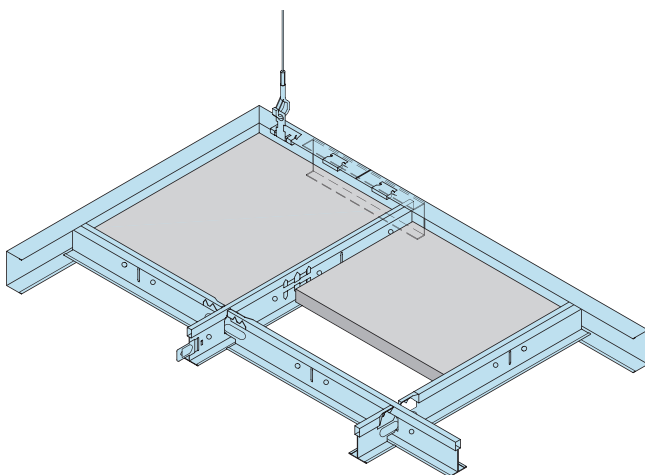
## Technical Data

<b>Product line</b>	OWAcoustic® premium
<b>Pattern</b>	optional (e. g. Constellation, Cosmos, Harmony)
<b>Edge detail</b>	edge 3/6
<b>Dimensions and weight</b>	1266 x 1266 mm, 4 tiles, 625 x 625 mm each 1891 x 1266 mm, 6 tiles, 625 x 625 mm each
<b>Grid suspension</b>	incl. wire suspension, L = 1.0 m (ceiling installation by builder)
<b>Light reflection</b>	approx. 83 (ISO 7724-2, ISO 7724-3)
<b>Sound absorption</b>	equivalent sound absorption area A (m <sup>2</sup> ): at 1000 Hz = 1,2 m <sup>2</sup> (at H = 200 mm, Dessin Cosmos/N) = 1,4 m <sup>2</sup> (at H = 400 mm, Dessin Cosmos/N)
<b>Humidity resistance</b>	95 % RH

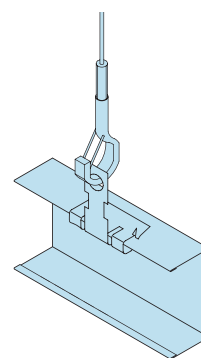


**Spatial acoustics with design options**

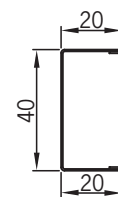
If you are looking for more than just good acoustics, the para model of the OWAcoustic® canopy can be made from your choice of any OWAcoustic® premium pattern with edge formation 3 or 6 (Constellation, Cosmos, Harmony). The panels, with a basic format of 625 mm x 625 mm, can be easily combined into composite arrangements in groups of four or six. The individual components of the frame structure are pre-assembled and the colour is matched to the patterns. The supplied 1.0 m wire suspension makes installation possible under practically any ceiling structure.



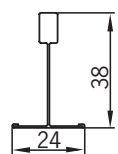
Canopy suspension



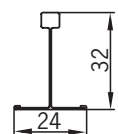
C-Section



Main tee



Cross tee





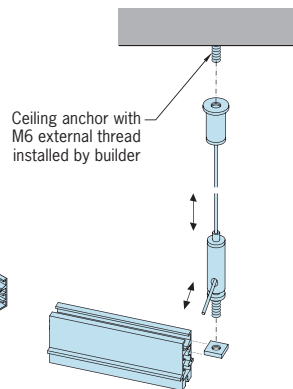
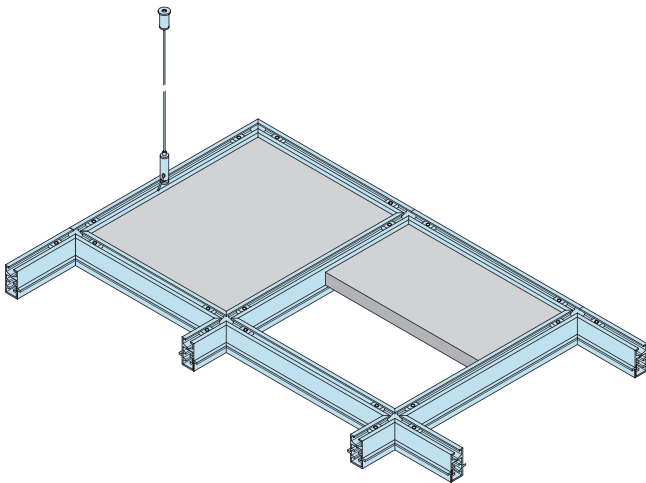
## Technical Data

<b>Product line</b>	OWAcoustic® premium
<b>Pattern</b>	optional (e. g. Bolero)
<b>Edge detail</b>	edge 3
<b>Dimensions and weight</b>	1290 x 1290 mm, 4 tiles, 625 x 625 mm each 1290 x 1927 mm, 6 tiles, 625 x 625 mm each
<b>Grid suspension</b>	incl. wire suspension, L = 1.0 m (ceiling installation by builder)
<b>Light reflection</b>	approx. 84 (ISO 7724-2, ISO 7724-3)
<b>Sound absorption</b>	equivalent sound absorption area A (m <sup>2</sup> ): at 1000 Hz = 1,2 m <sup>2</sup> (at H = 200 mm, Dessin Cosmos/N) = 1,4 m <sup>2</sup> (at H = 400 mm, Dessin Cosmos/N)
<b>Humidity resistance</b>	95 % RH

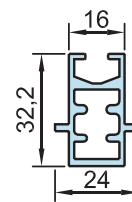


### Islands of good sound, perfectly coordinated

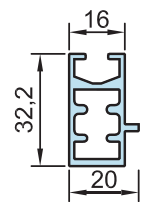
Private meeting environments put together quickly and cost-effectively: The lega model of the OWAcoustic® canopy has a base format of 625 mm x 625 mm and can be easily combined into larger 4-piece or 6-piece composite arrangements. The individual components and frame structure are pre-assembled and consist of high-quality aluminium sections, colour-matched to the tile pattern (e.g. Bolero). A detailed assembly plan simplifies the installation.



Cross profile



Frame profile





## Technical Data

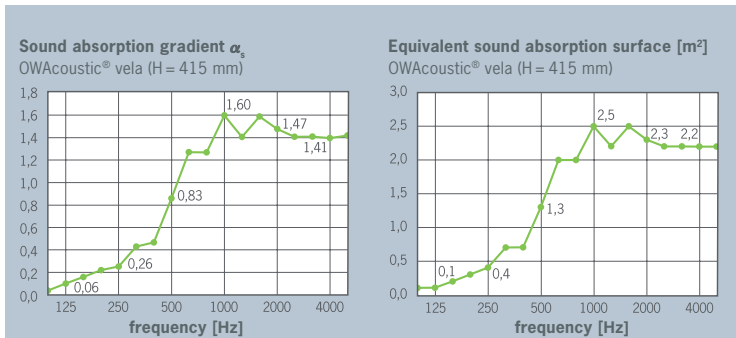
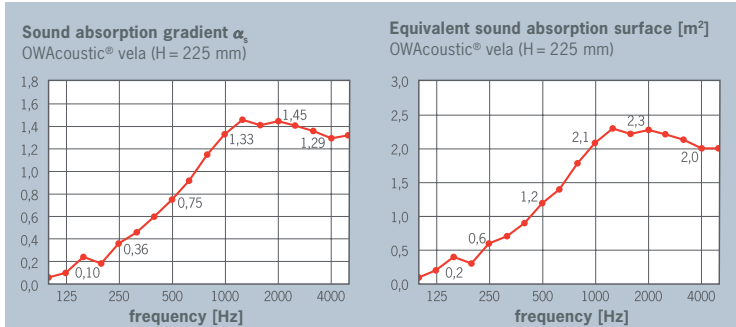
<b>Product line</b>	OWAcoustic® premium
<b>Types</b>	concave / convex / linear / sinus
<b>Pattern</b>	Cosmos plus (face side), white, fleece laminated
<b>Edge colour</b>	white, fleece laminated, alternatively all-around silver-coloured frame
<b>Dimensions and weight</b>	approx. 1250 x 1250 x 30 mm type sinus approx. 1250 x 1850 x 30 mm
<b>Grid suspension</b>	incl. wire suspension, L = 1.0 m, (ceiling installation by builder)
<b>Edge finish</b>	sharp edges all the way round
<b>Light reflection</b>	approx. 84 (ISO 7724-2, ISO 7724-3)
<b>Sound absorption</b>	equivalent sound absorption area A (m <sup>2</sup> ): at 1000 Hz = 2.1 m <sup>2</sup> (at H = 225 mm)
<b>Humidity resistance</b>	95 % RH

# Canopy OWAcoustic® vela

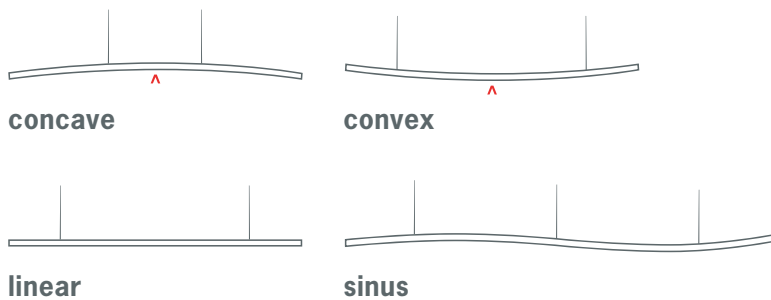
## Elegant design, solid acoustic performance

For rooms that are literally at the highest level: the large-size vela model of OWAcoustic® canopy paves the way for your ceiling to have a spectacular optical appearance. The face side of the panels is the same as the Cosmos plus pattern. The canopy fits under practically any ceiling structure (wire suspension included in delivery) and can be installed in flexible composite arrangements - design appeal and top acoustic performance in perfect harmony.

Installation examples  
type linear/convex/concave



Installation examples type sinus



	Specification	Dimensions in mm approx.	Edge / Frame
1	convex	1250 x 1250	silver-coloured frame
2	concave	1250 x 1250	silver-coloured frame
3	linear	1250 x 1250	silver-coloured frame
4	convex	1250 x 1250	white fleece edge
5	concave	1250 x 1250	white fleece edge
6	linear	1250 x 1250	white fleece edge
7	sinus	1250 x 1850	silver-coloured frame
8	sinus	1250 x 1850	white fleece edge